

# WK/LM Series

## Wafer Butterfly valves

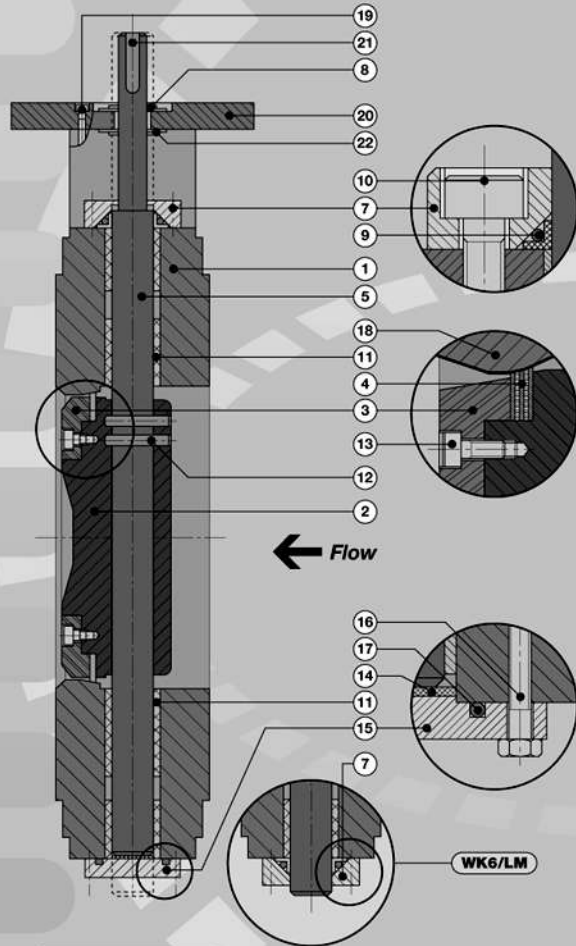
Series **WK3/LM**  
**WK6/LM**

### Identification of the valve parts

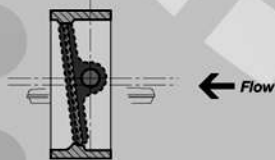
Pos.	Description Item	Q.ty
1	Body	1
2	Butterfly	1
3	Seal seat retainer	1
*4	Seal seat	1
5	Stem	1
6	-	-
7	Gland	1
8	Thrust washer	2
*9	Stem seal	1
10	Screws	*
11	Bushing	-
12	Pins	2
13	Screws	*
14	Thrust washer	1
15	Cap	1
16	Screw	~
*17	O-ring	1
18	Seal surface	1
19	Screws	~
20	Flange	1
21	Feather	1
22	Seeger	2

(\*) Normally recommended spare parts  
(-) Related to valve size

Section view WK3/LM

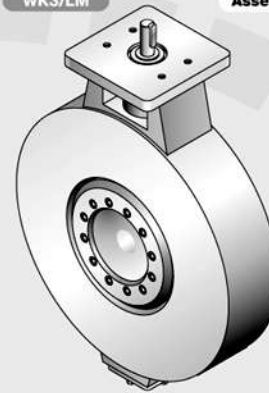


Triple eccentric detail

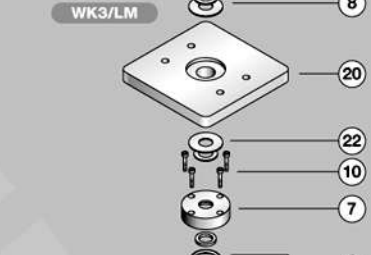


WK3/LM

Assembled views



Assembly view WK3/LM



WK6/LM

