

Series **WFK1**

**WFK3**

**WFK6**

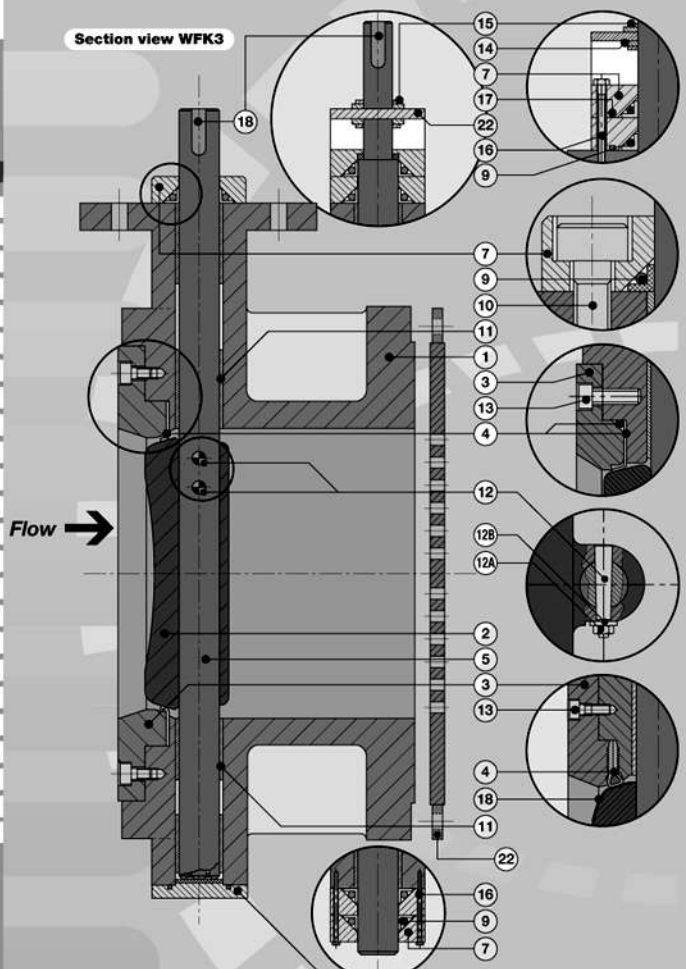
**WFK6 + Trim Anticavitation/Antinoise** **Optional**

## Identification of the valve parts

Pos.	Description Item	Q.ty
1	Body	1
2	Disc	1
3	Seal seat retainer	1
*4	Seal seat	1
5	Stem	1
6	-	1
7	Gland	1
8	Upper thrust washer	1
*9	Stem seal	1
10	Gland screw	~
11	Bushing	~
12	Pins	2
12A	Nuts	2
12B	Washer	2
13	Seal seat retainer screw	~
*14	Lower thrust washer	~
15	Cap	1
16	Cap screw	~
*17	Cap gasket	1
18	Feather	1
19	Stem flange	1
20	Trim An/Ac	1
21	Stem flange screw	1
22	Baffle	1

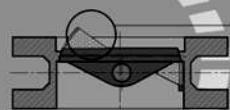
(\*) Normally recommended spare parts  
 (-) Quantity related to valve size

Section view WFK3

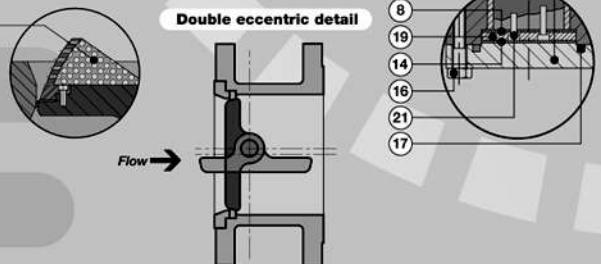


Flow →

Anti-noise Trim detail



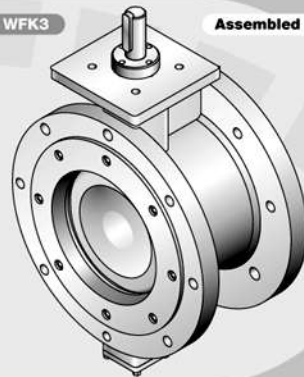
Double eccentric detail



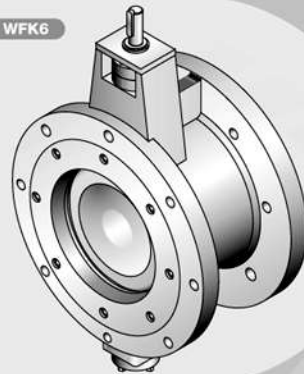
Flow →

WFK3

Assembled views



WFK6



WFK6

Assembly view

