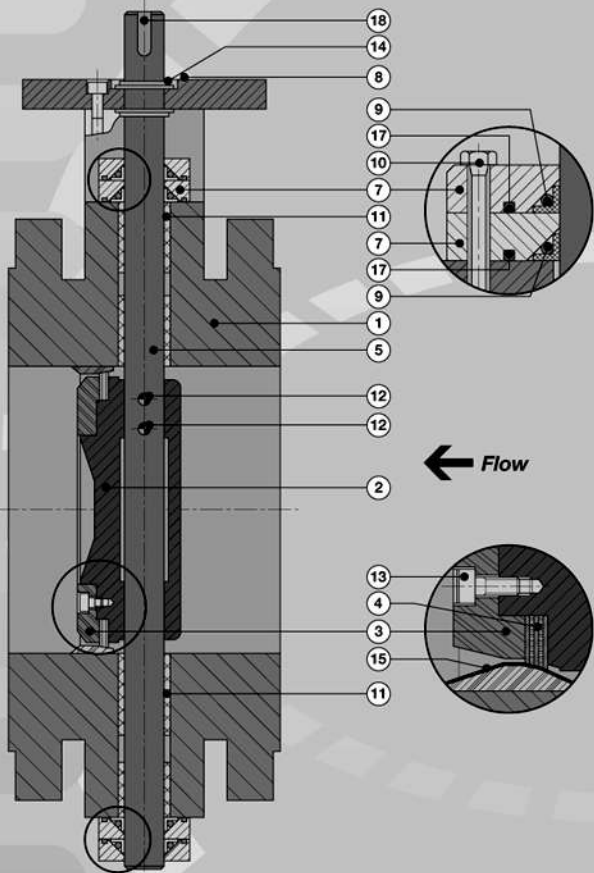


Identification
of the valve parts

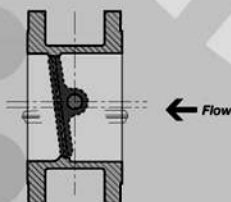
Pos.	Description Item	Q.ty
1	Body	1
2	Butterfly	1
3	Seal retainer	1
4	Seal seat	1
5	Stem	1
6	-	-
7	Gland	4
8	Thrust washer	2
9	Stem seal	4
10	Gland screws	-
11	Bushing	-
12	Pins	2
13	Screws	-
14	Seeger ring	2
15	Seal surface	1
16	Screws	-
17	Gasket	1
18	Feather	1
19	Flange	1

(*) Normally recommended spare parts
(-) Related to valve size

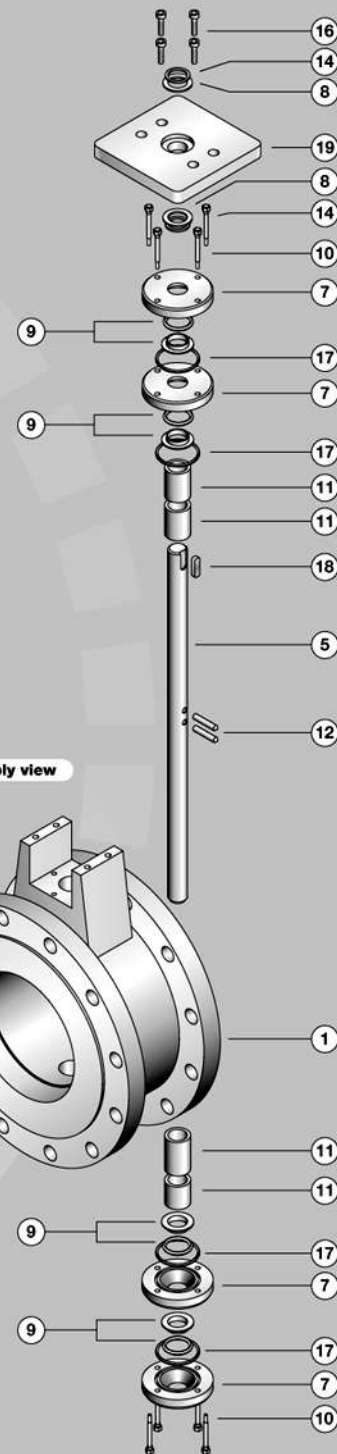
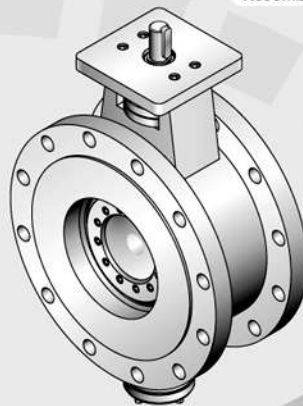
Section view



Triple eccentric detail



Assembled views



Assembly view

