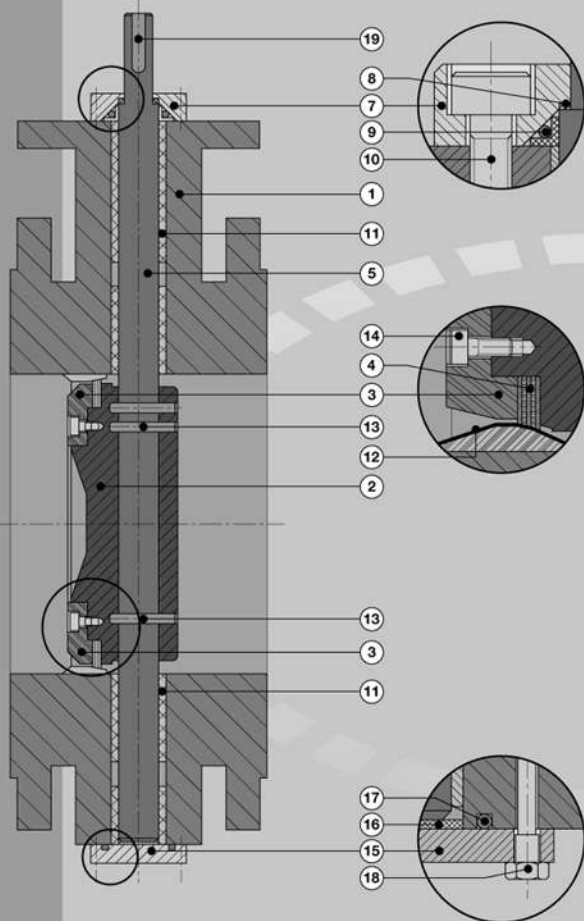


Section view

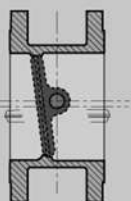
Identification
of the valve parts

Pos.	Description Item	Q.ty
1	Body	1
2	Butterfly	1
3	Seal retainer	1
4	Seal seat	1
5	Stem	1
6	-	-
7	Gland	1
8	Thrust washer	1
9	Stem seal	1
10	Gland screws	-
11	Bushing	-
12	Seal surface	1
13	Pins	3
14	Seal seat retainer screws	-
15	Cap	1
16	Lower thrust washer	1
17	Gasket	1
18	Cap screws	-
19	Feather	1

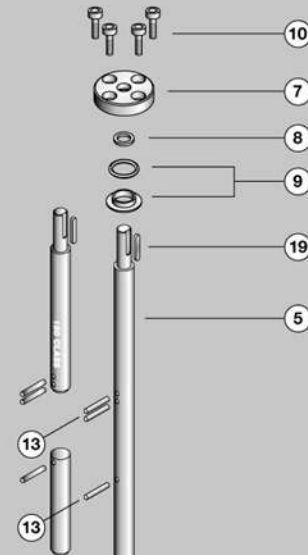
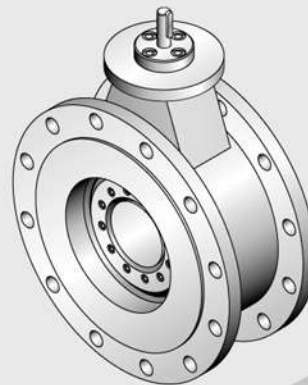
(*) Normally recommended spare parts
(-) Related to valve size



Triple eccentric detail



Assembled views



Assembly view

