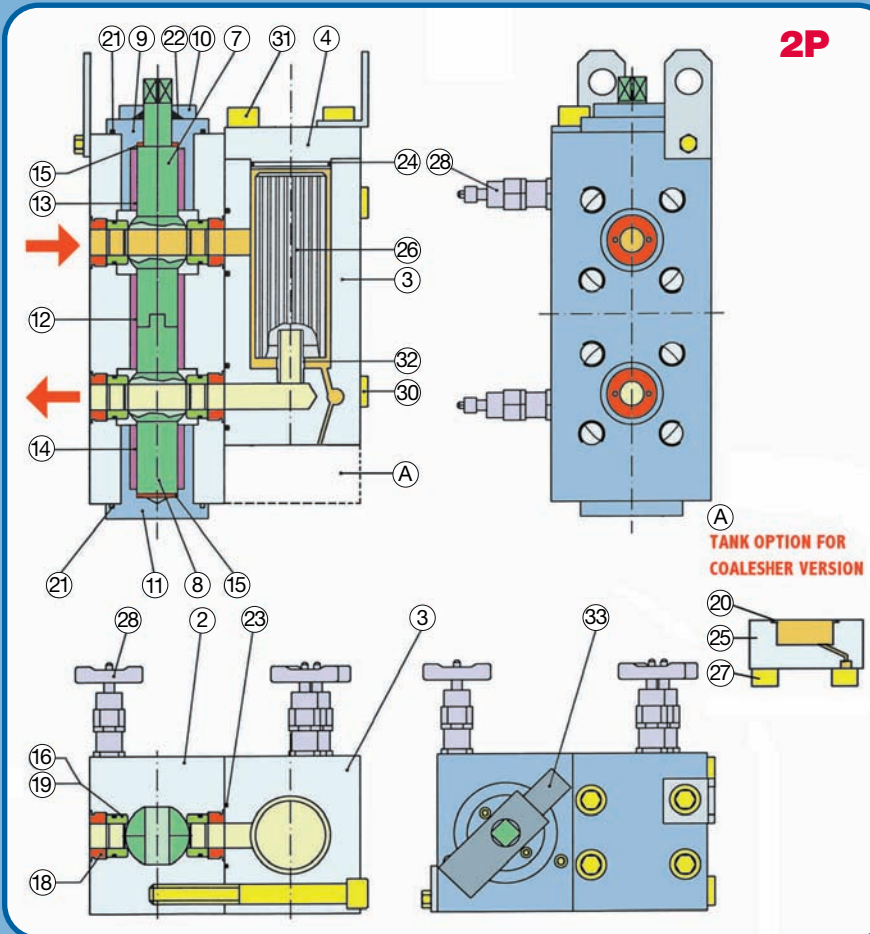


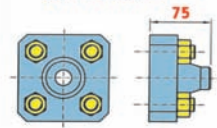
BLVF 2P Series

Simplex Modular System sectional drawing and parts list - overall dimensions

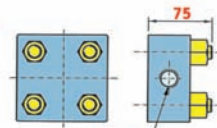


STANDARD COUPLING FLANGES

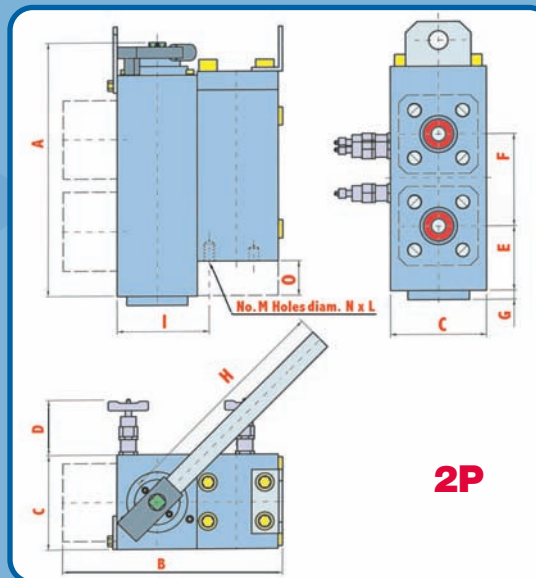
W.N. FLANGES



NPT-F FLANGES

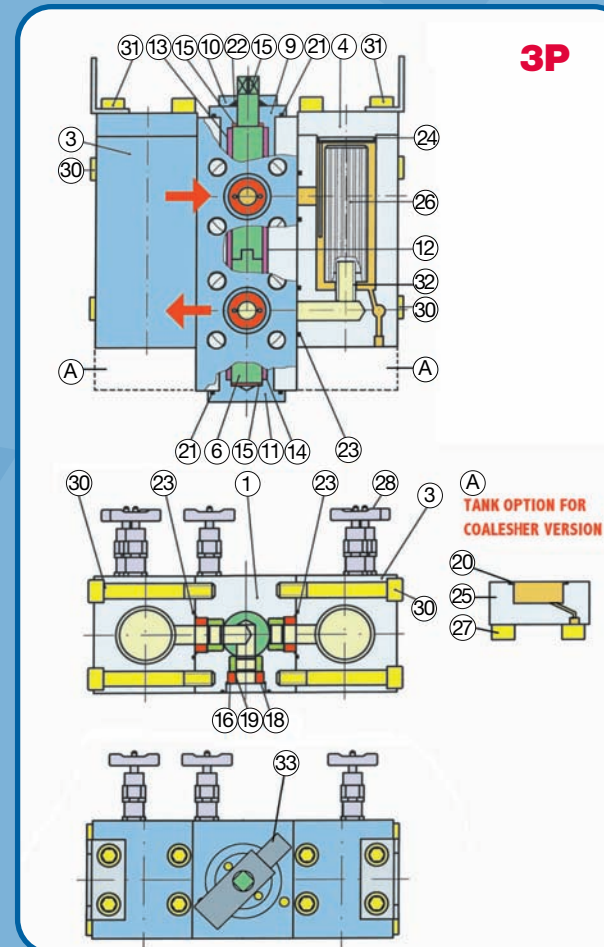


NPT-F THREADED



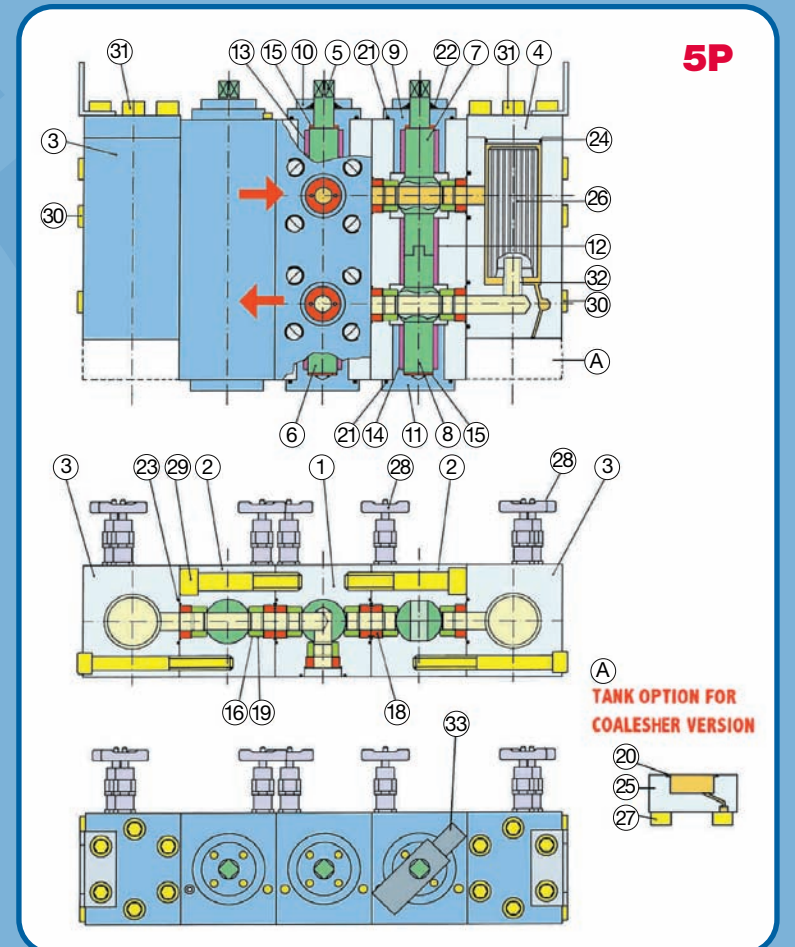
BLVF 3P Series

Twin Modular System sectional drawing and parts list



BLVF 5P Series

Twin Double Block and Bleed Modular System sectional drawing and parts list



BLVF 2P Series

Pos.	Description	Q.ty	Pos.	Description	Q.ty
1	-	-	18	Threaded ring	4
2	Side body	1	* 19	Seat o-ring	4
3	Filtere container	1	* 20	Tank o-ring	1
4	Upper cover	1	* 21	Bush & cap o-ring	2
5	-	-	* 22	Gland gasket	1
6	-	-	* 23	Body o-ring	4
7	Upper blocking ball	1	* 24	Cover o-ring	1
8	Lower blocking ball	1	25	Tank	1
9	Bush	1	* 26	Filter cartridge	1
10	Gland	1	27	Tank screws	•
11	Cap	1	28	Discharge valve	•
12	Central bushing	1	29	-	-
13	Upper bushing	1	30	Body screws	•
14	Lower bushing	1	31	Cover screws	•
* 15	Thrust washer	2	32	Adaptor	1
* 16	Seal seat	4	33	Lever	1
17	-	-	34	-	-

BLVF 2P

Pos.	Dimension mm.		
	Size 20	Size 25	Size 40
A	335	348	410
B	365	390	420
C	125	125	170
D	70	70	70
E	85	85	100
F	120	120	150
G	12	12	23
H	330	330	445
I	120.5	120.5	175
L	101	101	130
M	2	2	2
N	M14	M14	M16
O	46	46	60

Weight kg.	64 Coalesher	74 Coalesher	145 Coalesher
	60 Particellar	70 Particellar	135 Particellar

BLVF 3P 5P Series

Pos.	Description	Q.ty 3P	Q.ty 5P	Pos.	Description	Q.ty 3P	Q.ty 5P
1	Central body	1	1	18	Threaded ring	6	14
2	Side body	1	2	* 19	Seat o-ring	6	14
3	Filtere container	1	2	* 20	Tank o-ring	2	2
4	Upper cover	1	2	* 21	Bush & cap o-ring	2	6
5	Upper bypass ball	-	1	* 22	Gland gasket	1	3
6	Lower bypass ball	-	1	* 23	Body o-ring	6	14
7	Upper blocking ball	1	2	* 24	Cover o-ring	2	2
8	Lower blocking ball	1	2	25	Tank	2	2
9	Bush	1	3	* 26	Filter cartridge	2	2
10	Gland	1	3	27	Tank screws	•	•
11	Cap	1	3	28	Discharge valve	•	•
12	Central bushing	1	3	29	Body screws	-	•
13	Upper bushing	1	3	30	Body screws	•	•
14	Lower bushing	1	3	31	Cover screws	•	•
* 15	Thrust washer	2	6	32	Adaptor	2	2
* 16	Seal seat	6	14	33	Lever	1	3
17	-	-	-	34	-	-	-

Remarks
* : Suggested spare parts
• : Q.ty related to nominal size

Remarks
* : Suggested spare parts
• : Q.ty related to nominal size