

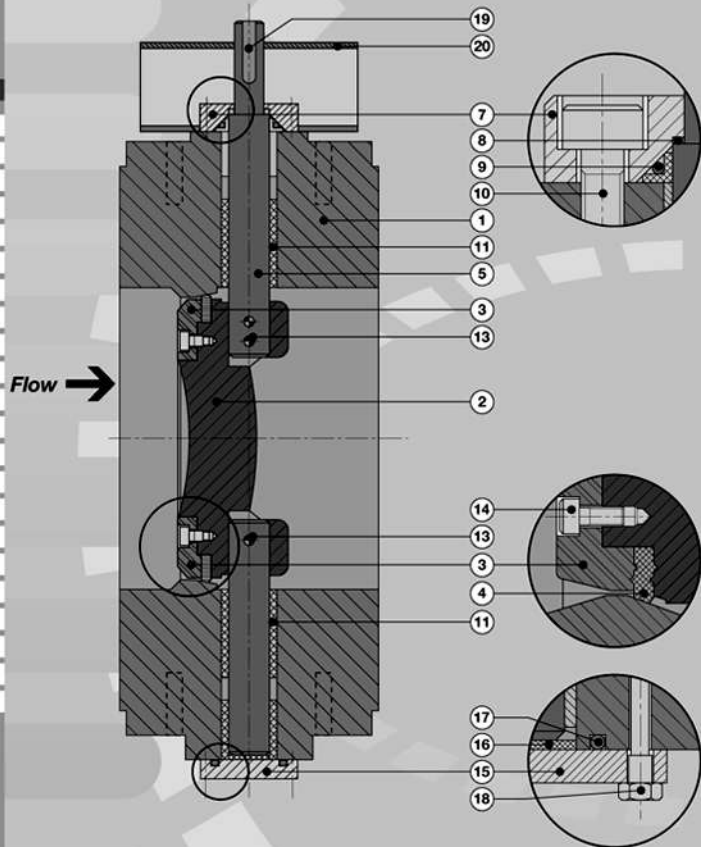
Identification

of the valve parts

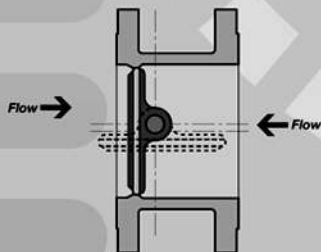
Pos.	Description Item	Q.ty
1	Body	1
2	Butterfly	1
3	Seal retainer	1
*4	Seal seat	1
5	Upper stem	1
6	Lower stem	1
7	Gland	1
*8	Thrust washer	1
*9	Stem seal	1
10	Gland screws	-
11	Bushing	-
12	-	-
13	Pins	3
14	Seal seat retainer screws	-
15	Cap	1
*16	Lower thrust washer	1
*17	Gasket	1
18	Cap screws	-
19	Feather	1
20	Distance piece	1

(*) Normally recommended spare parts
(-) Related to valve size

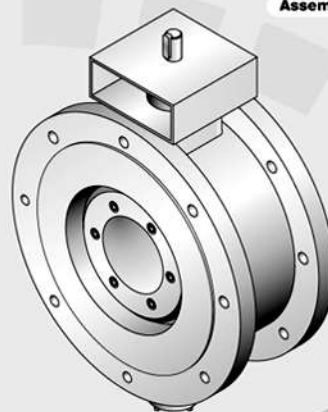
Section view CFK1



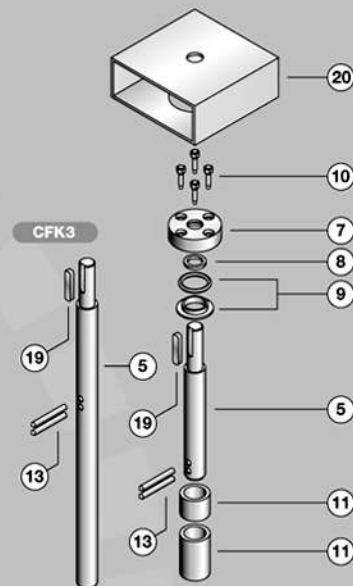
Double eccentric detail



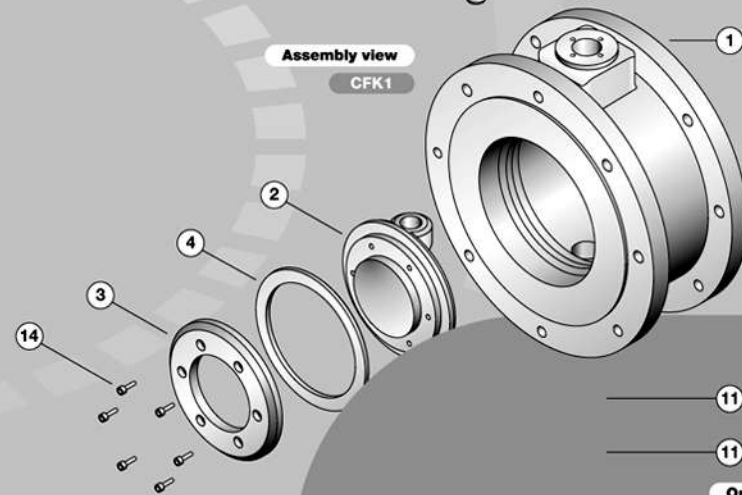
Assembled views



CFK3



Assembly view
CFK1



Only CFK1

